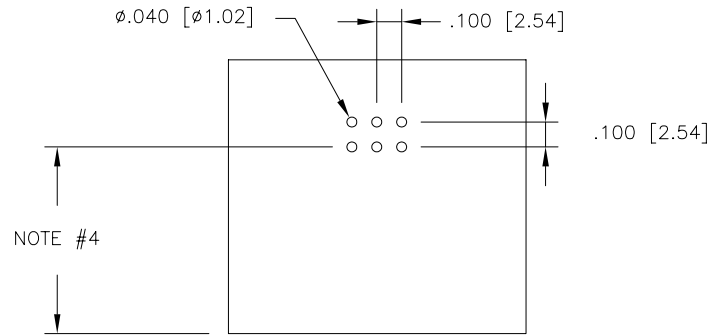
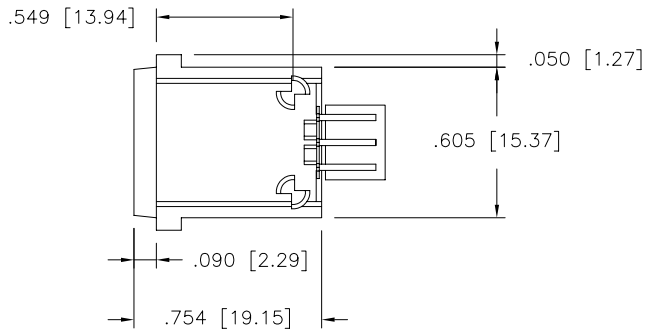
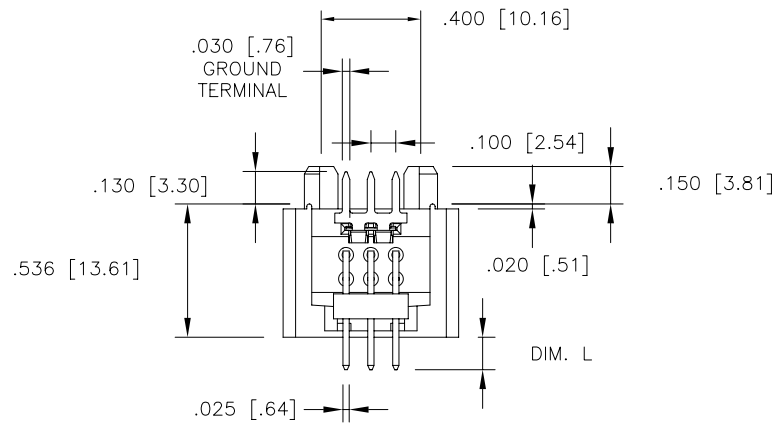
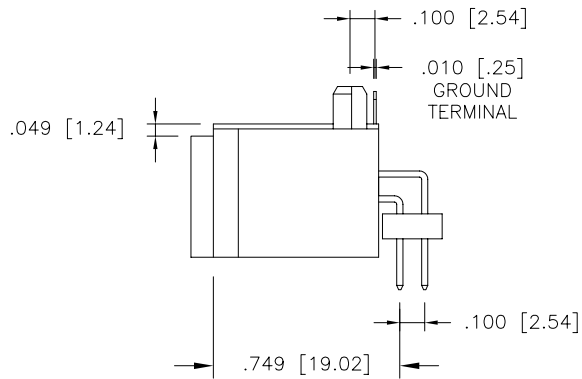


PRODUCT NUMBER  
SEE TABLE



RECOMMENDED PCB LAYOUT



Copyright FCI

mat'l. code		surface ISO 1302 ✓		tolerance ISO 406 ISO 1101		projection INCH/MM		product family LATCH-N-LOK	
ltr		ecn no		date		tolerances unless otherwise specified		title	
A	V00651	TFG	3/15/00	angles	linear	.XX±.01/.3	INCH/MM	2X3 LNL INVERTED HEADER ASSEMBLY	
B	V01798	TFG	9/14/00			.xxx±.005/.13		dwg no	
C	V10988	TFG	2/15/01	0'±2'		.xxxx±.0020/.051	scale 1:1	sheet 1 of 2 size	
D	M05-0062	ERE	4/01/05	dr	T. GARLICK	12/14/99		98783	
E	M06-0285	AGS	7/28/06	enfr	T. GARLICK	12/14/99		A3	
F	M07-0301	MHT	6/27/07	chr	T. GARLICK	12/14/99		type Product Customer Drawing	
sheet index		revision sheet		F	F				
		1	2						

form: A3

98783-XXXLF

LEAD FREE OPTION ⑥ ⑧

COLOR ④		
4	70343-LT GRAY	OBSOLETE
2	80166 OFF WHITE	
3	70634-DK GRAY	OBSOLETE
4	153 BLACK	
5	70511-SLATE GRAY	OBSOLETE
7	70455 SILVER GRAY	
8	80189-PEARL WHITE	OBSOLETE
9	70419 PEBBLE GRAY	

PLATING ⑨	
0	30u" GXT
3	30u" AU OVER 50u" NI
5	50u" AU OVER 50u" NI

PIN LENGTH	
DIM L	
0	.200/5.08
1	.130/3.30

NOTES:

- HEADER SHROUD MAT'L: POLYCARBONATE, 94-V0 RATED.  
MAT'L FOR 98783-XX4XX (HIGH TEMPERATURE)  
20% MIN. GLASS FILLED NYLON UL 94V-0
- GROUND CONTACT  
MAT'L: COPPER ALLOY  
PLATING: 200u"/5.08 PURE TIN
- SIGNAL CONTACT  
MAT'L: COPPER ALLOY  
PLATING: SEE TABLE
- NUMBERS SHOWN ARE FOR G.E. LEXAN AND ARE FOR REFERENCE ONLY.
- THIS ASSEMBLY U.L. APPROVED PER FILE E66906 VOL.1, SEC 84 AND CSA APPROVED PER MASTER FILE LR46923.
- ADD LF SUFFIX AT THE END OF PART NUMBER FOR LEAD FREE OPTION.
- THE HOUSING WILL WITHSTAND EXPOSURE TO 220°C PEAK TEMPERATURE FOR 15 SECONDS IN A WAVE SOLDER APPLICATION WITH A 1.5mm MINIMUM THICK CIRCUIT BOARD. SEE APPLICATION NOTES/PROCEDURES IF THEY ARE AVAILABLE.
- THIS PRODUCT MEETS EUROPEAN UNION DIRECTIVES AND OTHER COUNTRY REGULATION AS DESCRIBED IN GS-22-008.
- PLATING OPTIONS:  
MAY BE EITHER GOLD OR GXT PLATED AT MANUFACTURER'S OPTION.



FCIconnect.com

Copyright FCI

mat'l. code		surface ISO 1302 ✓		tolerance ISO 406 ISO 1101		projection ⊕		product family LATCH-N-LOK	
ltr	ecn	no	dr	date	tolerances unless otherwise specified		title		
F					angles	linear	INCH/MM		2X3 LNL INVERTED HEADER ASSEMBLY
					0°±2'	.XX±.01/.3 .XXX±.005/.13 .XXXX±.0020/.051	scale 1:1		
					dr	T. GARLICK	12/14/99	FCJ	
					enr	T. GARLICK	12/14/99	sheet 2 of 2 size	
					chr	T. GARLICK	12/14/99	98783 A3	
					appd	TIM. GARLICK	12/14/99	type Product Customer Drawing	
sheet index	revision sheet								